

# M140TGT

14" Intel® Core™ i5-1135G7 Windows Rugged Tablet



## KEY FEATURES

- 11th Gen. Intel® Processor Family – Tiger Lake Processor
- 14-inch tablet, 1920 x 1080 wide viewing angle LED Panel
- Optical bonding and Antiglare technology for sunlight readability
- IP65 water and dust proof with MIL-STD-810H rugged housing
- Hot-swappable battery for wholedaywork
- Integrated Smart Card Reader

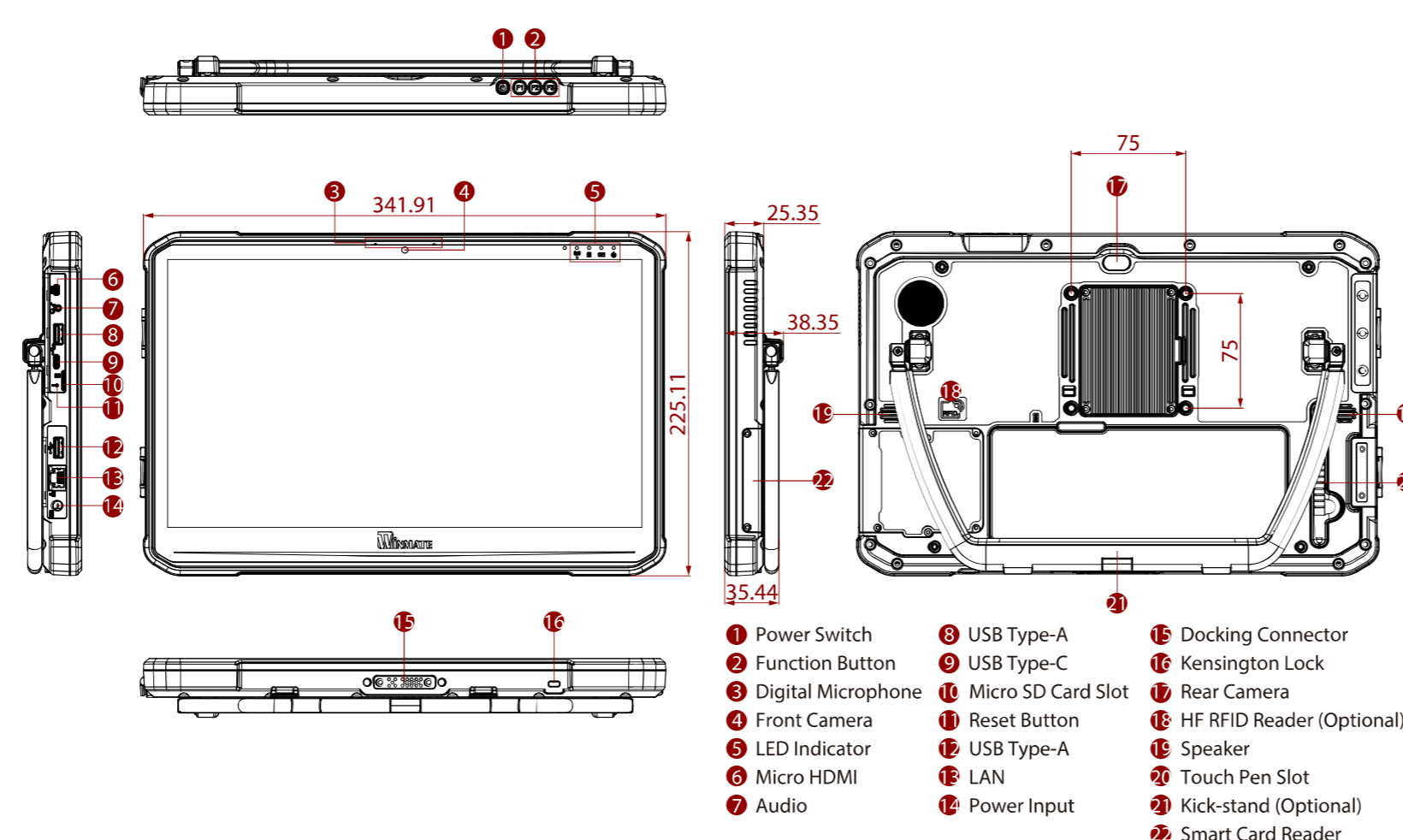
## INTRODUCTION

The Winmate M140 Rugged Tablet Series is built for industrial and field applications requiring durability and performance. Featuring a 14-inch sunlight-readable display with optical bonding and anti-glare technology, it ensures clear visibility in any environment. With IP65-rated water and dust protection, MIL-STD-810H compliance, and a hot-swappable battery for all-day productivity, the M140 is designed for demanding tasks. Optional features like an integrated Smart Card Reader and VESA mounting enhance versatility and usability.

## SPECIFICATIONS

Display			
<b>Bonding</b>	Optical Bonding for Sunlight Viewability	<b>Resolution</b>	1920x1080
<b>Size</b>	14.0 inches	<b>Contrast Ratio</b>	800:1
<b>Panel Brightness</b>	700.0 nits	<b>View Angles</b>	85,85,85,85
<b>Type</b>	Projected Capacitive Multi Touch		
System Specification			
<b>Processor</b>	Intel Core i5-1135G7 2.4GHz (up to 4.2GHz)	<b>Memory</b>	8GB (Default) 16GB (Optional) 32GB (Optional)
<b>Storage</b>	128GB SSD Additional storage available with micro SDXC card slot (Default) 256GB SSD (Optional) 512GB SSD (Optional) 1TB SSD (Optional) 2TB SSD (Optional)	<b>Security</b>	Trusted Platform Module (TPM) 2.0 Kensington Lock
<b>Operating System</b>	Windows 11 IoT Enterprise LTSC (64 bit) (Default) Windows 10 IoT Enterprise LTSC (64 bit) (Optional)	<b>WLAN</b>	Support
<b>BT</b>	Support	<b>WWAN</b>	4G LTE (Optional) 5G (Optional)
<b>GNSS</b>	GPS, GLONASS (Optional)	<b>RFID</b>	HF RFID reader 13.56 MHz (Optional)
<b>Sensors</b>	Light sensor/ G-sensor / Gyro	<b>Smart Card Reader</b>	Built-in Smart Card Reader, Comply with ISO7816-1.2.3 T=1 and T=0 protocol
Camera			
<b>Front Camera</b>	2MP Front Camera	<b>Rear Camera</b>	8MP Rear Camera with auto-focus and LED light
Mechanical			
<b>Dimension</b>	341.91 x 224.67 x 25.4 mm	<b>Weight</b>	1.75 kg
<b>Cooling System</b>	Fan Design		
IO Ports			
<b>USB Port</b>	2 x USB 3.0 (Type A), 1 x USB 3.0 (Type-C support Power Delivery 20V In)	<b>SD Card Slot</b>	1 x Micro SDXC slot
<b>SIM Card Slot</b>	1 x Nano SIM card slot	<b>Video</b>	1 x Micro HDMI (Optional)
<b>Audio</b>	1 x Audio combo 3.5mm audio combo jack Dual Digital Mic With Noise Cancellation Dual Speaker	<b>LAN</b>	1 x RJ45-10/100/1000 GigaLAN port
<b>Indicator</b>	4x LED Indicator for Power, Battery, HDD, RF status	<b>Docking Connector</b>	1 x 19-pin docking connector
Environment			
<b>Operating Humidity</b>	10% to 90% RH, non-condensing	<b>Operating Temperature</b>	-20°C to 60°C
<b>Storage Temperature</b>	-30°C to 70°C (-22°F to 158°F)	<b>Shock</b>	MIL-STD-810H Method 516.8 Procedure I
<b>Vibration</b>	MIL-STD-810H Method 514.8 Procedure I	<b>IP rating</b>	IP65
<b>Drop</b>	MIL-STD-810H Method 516.8, 4 ft		
Certification			
<b>Certification</b>	CE, FCC		
Security Function			
<b>SOTI MobiControl</b>	SOTI MobiControl Compliance	<b>Kensington Lock</b>	Kensington Lock Support
Control			
<b>Button</b>	1 x Power, 3 x function keys		
Power			
<b>Battery</b>	Internal Battery: 10.8V typ. 2400 mAh Li-Ion Battery Hot-swappable 11.4V, typ. 3500 mAh Li-Ion Re-chargeable Battery (3S1P) Hot-swappable 11.4V, typ. 4750 mAh Li-Ion Re-chargeable Battery (3S1P) (Optional)	<b>Battery Operating Time</b>	Standard. Battery: 8 hours High Capacity Battery: 12 hours
<b>Power Rating</b>	19V DC	<b>Adapter</b>	100-240V, 50-60Hz / 19V DC
Accessory			
<b>Accessory</b>	Adapter and Power Cord Standard Battery Capacitive Stylus	<b>Optional Accessory</b>	Kickstand (Optional) Vehicle Charger (Optional) Battery Charger (Optional) Desk Dock (Optional) Carry Bag (Optional)

## DIMENSIONS UNIT:MM



## NOTE

- This is a simplified drawing and some components are not marked in detail.
- Please contact our sales representative if you need further product information.
- All specifications are subject to change without prior notice.
- The product shown in this datasheet is a standard model. For diagrams that contain customized or optional I/O, please contact the Winmate Sales Team for more information.