

# M156AD

15.6" Windows Rugged Tablet PC with Intel® Core™ i5-1235U



## KEY FEATURES

- 12th generation Intel® Processor Family - Alder Lake Processor
- 15.6" FHD Panel resolution with PCAP touch
- Sunlight readable with antiglare solution
- Hot-swappable battery design
- USB TypeC port support PD 3.0 and ALT mode
- Integrated GigaLAN Port
- MIL-STD-461G and MIL-STD-810H Compliant
- IP65 waterproof and dustproof

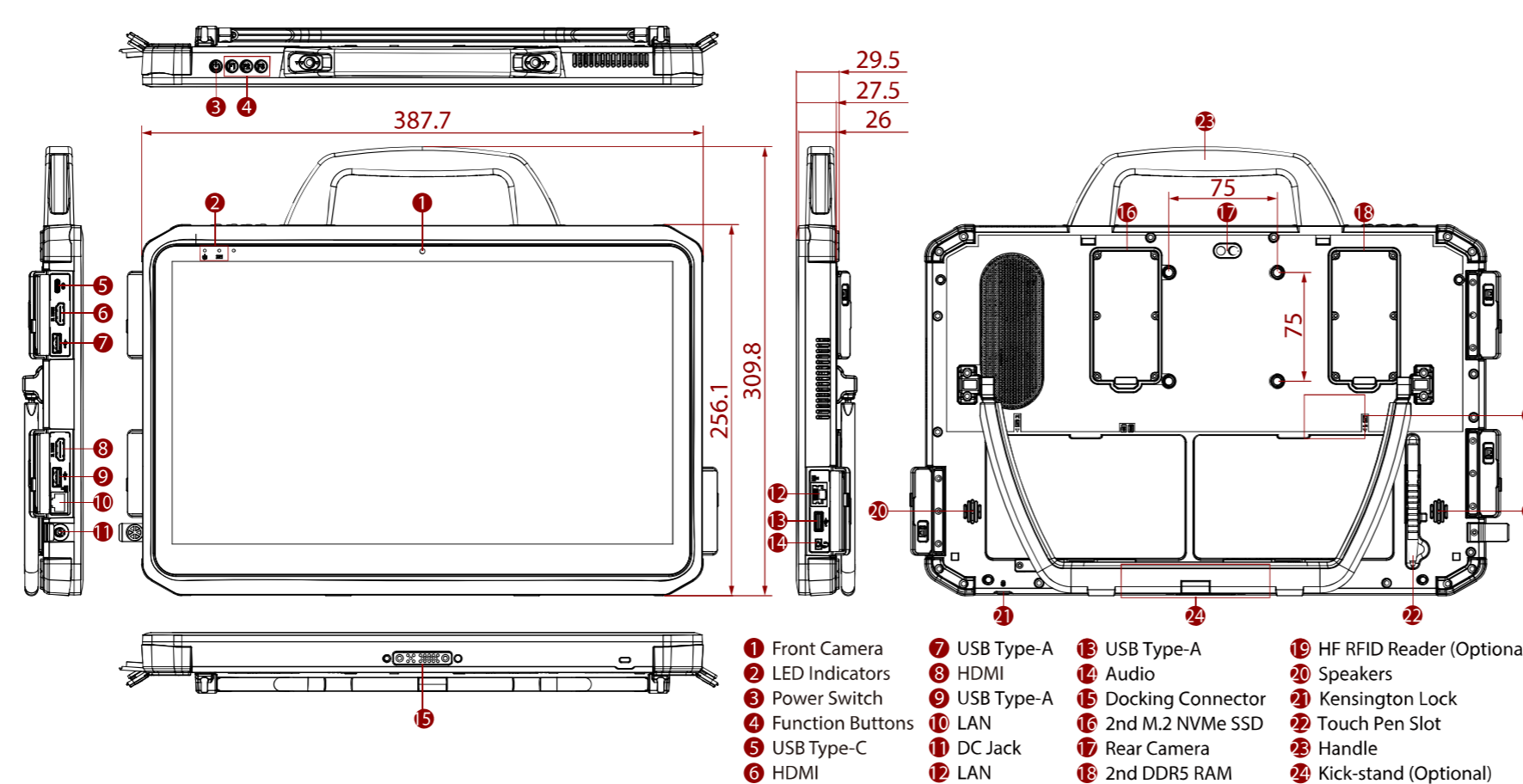
## INTRODUCTION

Winmate M156AD is a 15.6-inch Windows Rugged Tablet PC with Intel® Core™ i5-1235U engineered for field service, inspection, and industrial mobility. It combines Intel® Core™ i5-1235U, 15.6-inch display, and IP65 to support reliable operation in harsh industrial environments. With MIL-STD-810H, the M156AD helps OEMs, system integrators, and project teams deploy durable, configurable solutions for demanding field, factory, and mission-critical applications.

## SPECIFICATIONS

Display			
<b>Bonding</b>	Optical Bonding for Sunlight Viewability	<b>Type</b>	Projected Capacitive Multi Touch
<b>Resolution</b>	1920x1080	<b>Size</b>	15.6 inches
<b>Contrast Ratio</b>	800:1	<b>Panel Brightness</b>	800 (Default) nits 1000 nits(Optional)
<b>View Angles</b>	85,85,85,85		
System Specification			
<b>Processor</b>	Intel Core i5-1235U (up to 4.4GHz)	<b>Memory</b>	8GB (Default) 16GB (Optional) 32GB 2nd Memory available with up to 32+32GB (Optional)
<b>Storage</b>	128GB SSD (Default) 256GB SSD (Optional) 512GB SSD (Optional) 1TB SSD (Optional) 2TB SSD (Optional) 2nd storage available with up to 2TB SSD (Optional)	<b>Security</b>	Trusted Platform Module (TPM) 2.0 Kensington Lock
<b>Operating System</b>	Windows 11 IoT Enterprise LTSC (64 bit) (Default) Windows 10 IoT Enterprise LTSC (64 bit) (Optional)	<b>WLAN</b>	Support
<b>BT</b>	Support	<b>WWAN</b>	4G LTE (Optional) 5G (Optional)
<b>GNSS</b>	GPS, GLONASS	<b>RFID</b>	HF RFID reader 13.56 MHz (Optional)
<b>Sensors</b>	Light sensor/ G-sensor / Gyro		
Camera			
<b>Front Camera</b>	2MP Front Camera	<b>Rear Camera</b>	8MP Rear Camera with auto-focus and LED light
Mechanical			
<b>Dimension</b>	387.7 x 256.1 x 27.5 mm	<b>Weight</b>	2.8kg
<b>Cooling System</b>	Fan Design		
IO Ports			
<b>USB Port</b>	3 x USB 3.0 (Type A), 1 x USB 3.0 (Type C)	<b>SD Card Slot</b>	1 x Micro SDXC Slot
<b>SIM Card Slot</b>	1 x Nano SIM card slot	<b>Video</b>	2 x HDMI 4K Output (Optional)
<b>Audio</b>	1 x Audio combo 3.5mm audio combo jack Dual Digital Mic With Noise Cancellation Dual Speaker	<b>LAN</b>	2 x RJ45-10/100/1000 GigaLAN port
<b>Indicator</b>	2x LED Indicator for Power, Battery		
Environment			
<b>Operating Humidity</b>	10% to 90% RH, non-condensing	<b>Operating Temperature</b>	-20°C to 60°C
<b>Storage Temperature</b>	-30°C to 70°C	<b>Shock</b>	MIL-STD-810H Method 516.8 Procedure I
<b>Vibration</b>	MIL-STD-810H Method 514.8 Procedure I	<b>IP rating</b>	IP65
<b>Drop</b>	MIL-STD-810H Method 516.8, 3 ft	<b>EMC</b>	MIL-STD-461G CE101, CE102, RE101, RE102, CS118 (Default) (Default) MIL-STD-461G CS101, CS114, CS115, CS116, RS101, RS103 (Optional)
Certification			
<b>Certification</b>	CE, FCC		
Security Function			
<b>SOTI MobiControl</b>	SOTI MobiControl Compliance	<b>Kensington Lock</b>	Kensington Lock Support
Control			
<b>Button</b>	1 x Power, 3 x Programmable Function Keys		
Power			
<b>Battery</b>	Hotswappable 2 x 11.55V typ. 3220 mAh Lilon Battery (3S1P)	<b>Battery Operating Time</b>	Standard. Battery: 11 hours
<b>Power Rating</b>	19V DC	<b>Adapter</b>	100-240V, 50-60Hz, 120W / 19.5V DC
Accessory			
<b>Accessory</b>	Adapter and Power Cord Capacitive Stylus Top Handle Standard Battery	<b>Optional Accessory</b>	Spare Battery (Optional) Battery Charger (Optional) Kick-stand (Optional)

## DIMENSIONS UNIT:MM



## NOTE

- This is a simplified drawing and some components are not marked in detail.
- Please contact our sales representative if you need further product information.
- All specifications are subject to change without prior notice.
- The product shown in this datasheet is a standard model. For diagrams that contain customized or optional I/O, please contact the Winmate Sales Team for more information.